



# **World Rulebook**

**Effective From  
13th Dec 2017**

**Previous Updates  
Version 2nd Nov 2016  
Version No1 Updated 28<sup>th</sup> January 2017  
Version No2 Updated 5<sup>th</sup> April 2017**

# **Cable Wakeboard & Wakeskate**

**Rulebook by the Cable Wakeboard World Council of the International Waterski &  
Wakeboard Federation. Official website [www.cablewakeboard.net](http://www.cablewakeboard.net)**

**TABLE OF CONTENTS:**

<b>1</b>	<b>GENERAL .....</b>	<b>3</b>
<b>2</b>	<b>SAFETY .....</b>	<b>3</b>
<b>3</b>	<b>ENTRY REQUIREMENTS FOR CONFEDERATION OR WORLD CHAMPIONSHIPS .....</b>	<b>4</b>
<b>4</b>	<b>CATEGORIES / DIVISIONS.....</b>	<b>5</b>
<b>5</b>	<b>HEAT SYSTEM / RUNNING ORDER.....</b>	<b>6</b>
<b>6</b>	<b>COMPETITION AREA .....</b>	<b>7</b>
<b>7</b>	<b>TOW LINES .....</b>	<b>7</b>
<b>8</b>	<b>FEATURES (NEW WORDING FOR "OBSTACLES") .....</b>	<b>7</b>
<b>9</b>	<b>FORMAT .....</b>	<b>8</b>
<b>10</b>	<b>JUDGING CRITERIA / SCORING .....</b>	<b>9</b>
<b>11</b>	<b>TEAM SCORING AT THE WORLD CHAMPIONSHIPS .....</b>	<b>10</b>
<b>12</b>	<b>PROTESTS.....</b>	<b>11</b>
<b>13</b>	<b>SCHEDULE CHANGES.....</b>	<b>11</b>
<b>14</b>	<b>OFFICIALS – CLASSIFICATION, ROLES &amp; DUTIES .....</b>	<b>12</b>
<b>15</b>	<b>COMPETITIONS .....</b>	<b>13</b>
<b>16</b>	<b>RANKING LISTS.....</b>	<b>15</b>
<b>A.</b>	<b>APPENDIX (HEAT SYSTEM) .....</b>	<b>17</b>
<b>B.</b>	<b>APPENDIX (START LISTS/RUNNING ORDER).....</b>	<b>20</b>
<b>C.</b>	<b>Removed 2018</b>	
<b>D.</b>	<b>APPENDIX (FEATURE EXAMPLES) .....</b>	<b>24</b>
<b>E.</b>	<b>APPENDIX (RANKING POINTS).....</b>	<b>25</b>
<b>F.</b>	<b>APPENDIX F (SEATED CATEGORY SPECIFIC RULES) .....</b>	<b>26</b>

## 1 GENERAL

- 1.1 **Applicability of the Rules:** The rules set forth herein govern wakeboard and wakeskate competitions sanctioned by the Cable Wakeboard World Council (CWWC) of IWWF and apply to all international events worldwide. It is requested that Federations establish rules as close to these rules as possible. Whenever the masculine is used, the same shall be construed as meaning the feminine where the context so requires.
- 1.2 **Exceptions to the Rules:** Where compliance with the rules is not feasible, the Chief Judge shall with the approval of the majority of the Judges, make the necessary changes. Such changes will be announced at a riders' or team captains' meeting, and by posting. The Chief Judge shall send a report to the CWWC to explain these changes to the rules. Where the rules are definite and feasible, a vote of the Judges to decide whether to enforce any provision is prohibited.
- 1.3 **Drug Testing:** All competitors must agree to be subject to doping control. Specific policies and procedures regarding doping control shall be detailed in the Medical Regulations of the International Waterski & Wakeboard Federation.
- 1.4 **Unsportsmanlike Conduct:** Any rider (or his representative) or official whose conduct is deemed unsportsmanlike or whose conduct may cause discredit to the CWWC or the IWWF, either on or off the competition site, before, during, or after the competition, may be disqualified from all or part of the competition including completed events and/or be subject to a fine to be determined by the CWWC, by a two-thirds majority vote of the Judges. Any and all infractions can also be punishable by disqualification of the whole team.  
Unsportsmanlike conduct includes, but is not limited to: use of vulgar language in public, public tantrums, not riding to fullest potential, failure to attend designated functions or events, consuming alcoholic beverages during the competition, competing under false pretenses, concealing significant injuries or health problems.

## 2 SAFETY AND RIDERS' EQUIPMENT

- 2.1 All competitions must have an appointed CWWC Official present for the entire event who is in charge to supervise the safety measures.
- 2.2 The Chief Judge and CWWC Official will check the entire site to ensure the competition can be carried out as safely as possible, especially when the site is built only for the competition. The Chief Judge must check all features before the official training or nominate a suitable official to do this.
- 2.3 The competition organizer is responsible for any injuries as a result of the use of the cable and the features or any other equipment that would normally be available to the public in the event of an accident.
- 2.4 A first aid team, including a water rescue team, must be on site for all CWWC-sanctioned competitions. A rescue boat/jet-ski with a stretcher must be in a suitable position to assist injured riders. Pool events are not required to provide a safety boat.

- 2.5 All participants ride at their own risk; they are expected to pay attention to any potential site specific risks and to perform a routine within their abilities.
- 2.6 A rider is fully responsible for his personal equipment. All riders' personal equipment is subject to the approval of the Chief Judge and CWWC Official.
- 2.7 Only wakeboards and wakeskates will be allowed. Both must float.
- 2.8 All competitors must wear a life vest. It is the responsibility of each rider to ensure their life vest meets the following specifications:
  - It must float the rider
  - It must be constructed so as to provide adequate protection from impact damage to the ribs and internal organs.
- 2.9 Riders must wear a suitable helmet in the wakeboard course. If a rider performs his routine without a helmet, he will be disqualified from the competition.
- 2.10 Communication to a rider with any electronic device during his routine is not allowed.
- 2.11 Drones are only allowed in designated areas and allowed by the Chief Judge and CWWC Official.

### 3 ENTRY REQUIREMENTS FOR CONFEDERATION AND WORLD CHAMPIONSHIPS

- 3.1 **Rider Eligibility:** For all riders participating at the Confederation or World Championships, the IWWF Rules of Eligibility apply.
- 3.2 **Minimum requirements** are 800 points for U19, Open and +30, and 400 points for all other categories on the rolling CWWC World Ranking list the day the competition starts. Additionally, each Federation can enter max. 2 riders per gender per category with no minimum requirements. A Rider can only use one Wildcard per competition.

*The minimum amount of points can be reached by adding points from higher categories, as follows:*

  - U15 can add points from U19 and Open to be able to start in U15
  - U19 can add points from Open to start in U19
  - +30 can add points from Open to start in +30
  - +40 can add points from +30 and Open to start in +40

**\* Points cannot be added for Double Starts in Competitions. They can only be used for Single Starts.**
- 3.3 The host country of a Confederation or World championship is allowed to enter a total of 2 extra riders per competition without meeting the minimum requirements.
- 3.4 **Competition Entry:** All riders must be registered through their respective Federation. Federations will decide the criteria for the riders' entry. There is currently no restriction to the number of riders per nationality.

3.5 Starting in 2016, there will be following World and Confederation Championships:

- Open Championships (for five categories):
  - Wakeboard: Open Men, Open Ladies
  - Wakeskate: Open Men, Open Ladies
  - Seated: Open Men & Ladies
- Youth & Senior Championships (for ten categories):
  - Wakeboard: U15 Boys, U15 Girls, U19 Men, U19 Ladies, +30 Men, +30 Ladies, +40 Men, +40 Ladies
  - Wakeskate: U19 Men, U19 Ladies

The team scoring for both events is under point 11.

## 4 CATEGORIES / DIVISIONS

### 4.1 2018 Categories

#### **Wakeboard & Wakeskate:**

**U11** (11 or under), Mini Boys & Mini Girls: The last year a rider is allowed to compete in this category is the year of his 11<sup>th</sup> birthday. (For 2018, it means that the rider has to be born in 2007 or later).

**U15** (15 or under), Boys & Girls: The last year a rider is allowed to compete in this category is the year of his 15<sup>th</sup> birthday. (For 2018, it means that the rider has to be born in 2003 or later).

**U19** (19 or under), Junior Men & Ladies: The last year a rider is allowed to compete in this category is the year of his 19<sup>th</sup> birthday. (For 2018, it means the rider has to be born in 1999 or later).

**Open Men, Open Ladies:** No age restriction

**+30:** Masters Men & Ladies: The first year a rider is allowed to compete is the year of his 31<sup>st</sup> birthday. (For 2018, it means the rider has to be born in 1987 or before).

**+40:** Veterans Men & Ladies: The first year a rider is allowed to compete is the year of his 41<sup>st</sup> birthday. (For 2018, it means the rider has to be born in 1977 or before). **Seated:**

**Open Men & Ladies (one category):** No age restriction

To clarify: a rider born in 2007 can compete in U11, U15, U19 or Open categories, or a rider born in 1999 can compete in U19 or Open. It is the same for +30 and +40: a rider born in 1968 can choose to compete in +40, +30 or Open.

4.2 The Cable Wakeboard World Council will ensure that all riders' passports are checked for verification of age.

4.3 U11 categories will only be used for the national level events and rankings. Only riders born in 2007 or before can take part at International events. This means riders born in 2008 or later can't take part at any international events.

A rider born in 2007 can start in U11 at national events, but Under 11's cannot compete in any INTERNATIONAL EVENT.

4.4 For International Titled events there will be a minimum of 6 riders required to open a category, with the exception of +30 Ladies, +40 Men and Ladies where 4 riders are required. In both cases, at least three different nationalities will be required to open a category. The

Organizer will inform all participating Federations as soon as feasibly possible if there are insufficient riders within a category.

- 4.5 For all other international events, there will be a minimum of 3 riders required to open an age category.  
\*Open Categories are not AGE related.
- 4.6 For all international events, there will be only Junior and Open Categories in Wakeskate and only Open category in Seated.
- 4.7 Double starts at one competition are allowed. Starting in one wakeboard and one wakeskate category at one competition is not considered as double start, the Organiser can charge the rider for each start in a competition.

## 5 HEAT SYSTEM / RUNNING ORDER

- 5.1 Competitions will use a heat system, which can be found in the **Appendix A**. All models of starting lists and orders are highly recommended for 1, 2 and 3 star events and mandatory for 4, 5 and 6 star events.
- 5.2 In qualifying rounds, positions are determined by the current World Ranking List. For the riders who are not ranked, their specific heat and running order will be determined randomly. The Chief Judge and Chief Scorer will check and adjust the start lists to ensure the heats are fair and balanced, considering level of riding, nationalities, riders that switched categories or any other reasons. The model of creating the qualifying starting lists can be found in **Appendix B**.
- 5.3 The riders that didn't qualify will have a Last Chance Qualification (LCQ) round. The heats and starting order in the LCQ will be drawn from the qualification results, as described in the **Appendix B.2**.
- 5.4 In Semifinals and Finals, riders will start their 2nd run in the reverse order of the first run results i.e. the lowest scoring rider from the first run will start first and the highest scoring will start last.
- 5.5 With the use of the heat system, there will be instances where riders have finished in a joint position with a rider in a different heat. They will be given the same final position, whatever number of points they scored, see **Appendix (B.5)**.
- 5.6 If a rider fails to be on hand and ready, the dock marshal may recommend his disqualification to the Chief Judge. However, the dock marshal may grant a delay of up to one minute for emergencies developing or discovered just prior to the rider's turn to ride.
- 5.7 If a rider has damaged equipment when he's due to start, the head judge can grant him a maximum of **four** minutes to repair or replace it. The Chief Judge will have the final say as to whether the equipment can be used or not. Once the rider is on the water, he can't get a rerun if his equipment fails (for example a ripped binding, a broken board or a lost helmet).

- 5.8 In the case where a rider has been disqualified or has been scratched, a one-minute delay shall be granted to the next rider in the starting order if he is not on the starting dock at the time of disqualification. If more than one rider has been disqualified or scratched, the time allotted to the next rider shall be one minute for each missing rider.

## 6 COMPETITION AREA

- 6.1 The start and end of course will be marked by visible objects
- 6.2 The course should be free of obstructions other than those specifically placed for the competition. If such obstructions exist and cannot be removed, riders will be specifically advised to avoid them.
- 6.3 The judge's station must be situated with the best possible view of the course and if possible to meet the requirements shown in the **Appendix C**.

## 7 TOW LINES

- 7.1 Only standard length lines, used for public and daily cableway use and provided by the site, shall be used.(not less than 17.80m at full size cables)
- 7.2 For two towers systems, the line length will depend on the site specifics and has to be approved by the Chief Judge. The handle must at least touch the water in extended line mode.
- 7.3 Shortening of the rope and use of extensions and different handles is **not permitted**.

## 8 FEATURES (NEW WORDING FOR "OBSTACLES")

- 8.1 All features in the course will be used at the rider's own risk.
- 8.2 In the interest of safety, the Chief Judge has the right to exclude features for any reason he deems.
- 8.3 There is no restriction on features allowed in competition. The only requirement is that they are laid out so riders can safely perform an equal number of air tricks and feature tricks throughout the course. It is up to the Organizer and the Chief Judge to work together and decide on the best or most appropriate placement of features, considering history, new trends, common sense and safety. However, the final decision rests with the Chief Judge.
- 8.4 The bulletin for the competition has to contain a diagram of the cableway with the height, distances between the pylons, description of the course, placement and specifications of features noted. The Chief Judge or a responsible Council member should be involved in developing the perfect placement of features prior to distribution of the bulletin.

- 8.5 In two tower systems, features should be accessible from both directions whenever possible. Any direction that the Officials deem dangerous will be forbidden. See **Appendix (D)**.
- 8.6 For international competitions at small/removable cable systems that are not in regular use by the public, the organizer has to submit the drawing of the pool/lake, features and the cable for approval by the Confederation or World Council, no later than 3 months prior to the competition.
- 8.7 All features must have been in everyday use for a minimum of 14 days prior to the competition. When the site is built especially for the competition, the 14 days rule does not apply. The position of the features must not change between the official training and the actual competition.
- 8.8 For safety reasons, open water should be allowed for all air tricks. Features shall not be placed in an area where an air trick is expected or riders forced to perform an air trick over a feature.
- 8.9 If a rider falls in front of a feature, he has to let go of the handle or be disqualified.
- 8.10 A rider may not land an invert from the water on a feature. Doing so will result in disqualification.
- 8.11 The cableway management has to ensure that all features used at the competition are safe. They must make all reasonable efforts to ensure that the features do not damage riders' boards. However, the ultimate responsibility of using a feature is with the rider.
- 8.12 Where during the training or the competition a feature is found to be defective, the organizer will make every effort to fix it as quickly as possible and inform riders of any potential problems with the features. If a feature damaged during the competition can't be repaired quickly, it will be taken out of the water or excluded from the scoring and any heat in progress must be restarted. A decision as to whether the feature is returned later will be made by the Chief Judge in conjunction with the present Council Officials. The final decision rests with the Chief Judge, but the responsibility does not lie with him.

## 9 FORMAT

- 9.1 The following format is mandatory for World and Confederation Championships. Organizer and judging team can decide on a different format for other national and international registered events (e.g. one or two out of three runs scoring, kicker contest, best invert contest, full round contest, features only etc.). The Chief Judge, together with Confederation or World Council, has to describe the format and the



judging criteria and publish them at least one month prior to the competition. Examples of possible formats can be given by the CWWC.

- 9.2 Riders will be judged in a FREERIDE format only.
- 9.3 Riders will be judged on their equal use of both air tricks and features. Depending on the competition site and the quantity of features or possibilities to do air tricks, the weighting may be adapted by the Chief Judge and would be explained at the riders meeting.
- 9.4 There will be a minimum of two rounds: a Qualification, and a Final Round. Using the heat system, Last Chance Qualifier (LCQ) and Semifinal rounds have to be included depending on the number of riders, see **Appendix A**.
- 9.5 One round will consist of two runs (passes) through the course, each run consisting of combinations of inverts, grabs, rotational tricks, and features. Riders may perform any tricks they choose in any order they wish. Only the best out of the two runs will be scored.
- 9.6 If it is necessary to shorten the competition, the Chief Judge can decide to have only one run in the Qualification Round, especially in a small category where all riders proceed to finals and the qualifying run is used only to determine the starting orders of the finals.
- 9.7 Judging of the routine begins when the rider enters the course and ends when the rider exits the course or falls and loses the handle.
- 9.8 The speed must remain constant from the beginning of the training until the end of the competition. Competitions in two-towers systems must be run in automatic mode, the operator is not allowed to slow down for turns or tricks.  
The normal operating speed of the cable will be published in the bulletin.

## **10 JUDGING CRITERIA / SCORING**

- 10.1 Judging will be SUBJECTIVE only. There will be no predetermined points for any tricks.
- 10.2 There must be a minimum of three judges, one of which will act as Head Judge. All must be recognized by CWWC, or National Federation for national events.
- 10.3 For each judge team, a Head judge will be chosen. After the first rider in the heat, the Head judge will set the score for first rider. This will give a solid base for judging this particular heat.
- 10.4 Judges must ensure equal riding conditions are applied to all competitors.
- 10.5 The scores awarded will reflect each run (pass) with a single combined score from 0-100 points. Only the best of the two runs will be taken as a result. The lower scored run will be removed.

- 10.6 Each rider shall be allowed two runs through the course during which time he may perform any routine he chooses. He will be judged on two subjective categories, to arrive at a single combined score for each run. Points will be given based on technical performance and impression. Riders are encouraged to perform a smooth flowing routine with a wide variety of tricks. Each maneuver should be executed as cleanly as possible and taken to its limit.
- 10.7 **Technical performance = 50 %**  
(Level and variety of tricks performed = what did the rider perform)  
Judges look for the variety and diversity of tricks in a flowing creative sequence. In the judge's eyes, a better rider is one who throws a balanced variety of inverts, spins, heel side, toe side, switch, blind tricks, and handle passes etc, using both air tricks and features.
- 10.8 **Impression = 50 %**  
(Airtime, mastery, style and control of tricks = how did the rider perform)  
How impressive was the routine, how big did the rider go? For Slider and Kicker, how controlled and balanced is the rider? The judges look for the degree of effort in each maneuver performed and in the overall run. Does the Rider show his personal style in the trick performed? Is the trick grabbed, boned, tweaked, shifted? Are the tricks landed clean? How good is the body position in the air? How long was the trick grabbed? How good is the approach /cut of the tricks, the flow in the run ?
- 10.9 **Calculation of scores:**  
Scores from the two categories (Technical performance and Impression) of a rider's routine are added together to produce a judge's total score out of 10. There cannot be a tie between riders of the same heat. All three judges' total scores are then averaged to produce a final score out of 10 for each rider.
- 10.10 Repetition of tricks during one run will not be scored but a rider can repeat tricks from the first run in his second run.
- 10.11 Any trick performed outside of the course or using the pull of a deflection pulley will NOT be scored.
- 10.12 The results may be displayed live during the competition. However, they are not official until they're complete and approved by the Head Judge of the heat.
- 10.13 This judging criteria/scoring are mandatory for all international competitions. Any changes to this judging/scoring system for an international competition must be approved by the relevant Confederation or World Council (see 9.1)

## **11 TEAM SCORING AT CONFEDERATION AND WORLD CHAMPIONSHIPS**

- 11.1 It is encouraged to have a mixed participation with men and women riders within a team, although it is not compulsory.

- 11.2 The following Team scoring will be used for country classification at Confederation and World Championships:

**Open Championships:** team score will include the **5** best results of all categories, with a maximum of **1** rider per category.

**Youth & Senior Championships:** team score will include the **10** best results of all categories, with a maximum of **1** rider per category.

- 11.3 In the event of a tie between 2 teams, the next best score will be added until there is a winning team.
- 11.4 The ranking point system for the relevant competition, as described in **Appendix E**, will be used to calculate the Team Scoring.

## 12 PROTESTS

- 12.1 Protests shall be made to the Chief Judge only by the team captain or his representative. Protests must be made in writing, must state the reason(s) for the protest, and must be filed as soon as possible, but no later than 10 minutes after the occurrence or 10 minutes after the results are announced.
- 12.2 Protests will only be allowed for non-compliance of the rules that may have had an adverse effect on a rider. It will not be allowed for someone's disagreement with the results.
- 12.3 A correction of an error in the computation of scores is no ground for a protest. If such an error occurs, it will be corrected as soon as possible.
- 12.4 Protests must be accompanied by 50 EUR or the approximate equivalent in local currency. This amount will be refunded if the protest is granted.
- 12.5 During the run, if a rider has any reason to request a rerun, he must stop performing any further tricks and raise his hand immediately. Equipment failure, as described in 5.7, is not a valid reason for a rerun.
- 12.6 Due to the subjective scoring nature and spirit of wakeboarding, video footage of any  
12.7 kind will not be used by Judges, riders or team representatives to resolve any disputes.

## 13 SCHEDULE CHANGES

- 13.1 Changes to the schedule during the competition will only be made for adverse weather or water conditions, safety, or similar reason. Such changes will be announced at a riders' or team captains' meeting, and by posting.

- 13.2 The finals of each category must be completed to determine a winner. Qualification Results are not enough.
- 13.3 In special circumstances, if there is not enough time left to finish the full competition (due to weather conditions, features breaking or similar), the Chief Judge in conjunction with the relevant Council members can decide to perform one final run to determine a winner. The Officials will clearly inform all riders in the finals in question in advance.

## 14 OFFICIALS – CLASSIFICATION, ROLES & DUTIES

- 14.1 CWWC and Confederation Council members are the Officials by function. They nominate the complete team of Officials for the event sport part, which includes: technical delegate, chief judge, head judges, safety captain, chief of course, competition colonel, dock marshals and assistants. At large events, more Officials can be nominated with additional duties required for a good coordination, such as: registration, cable operation, doping control, cable security, features, safety, TV production, water rescue, medical team, team captains' coordinator etc.
- 14.2 Officials achieve qualification levels by attending seminars and taking exams. CWWC and Confederation Council members are elected through IWWF procedures. Some Officials for large events are selected based on their area of expertise, experience in the sport and availability.
- 14.3 Officials qualification levels are \*(1 star) to \*\*\*\*\*(6 stars). Officials will need at least the same number of stars as the event. For International events, the chief judge will need to be at least 4star judge and 3star scorer. For International 1\* and 2\* competition, judges will need at least one more star than the event level.
- 14.4 Gaining levels for Officials

Official Level	Assistant	Scorer	Judge	How to acquire level
*(1 star)	Theory 1	Theory 1+ Scoring 1	Theory 1+ Judging 1	Grassroots seminar
** (2 stars)	Theory 2	Theory 2 + Scoring 2	Theory 2 + Judging 2	Grassroots seminar
*** (3 stars)	Theory 3	Theory 3+ Scoring 3	Theory 3+ Judging 3	Advanced seminar
**** (4 stars)	Theory 4	Theory 4+ Scoring 4 + live results	Theory 4+ Judging 4	Advanced seminar
***** (5 stars)	Appointed	JDC clinic + live stream + appointed	JDC clinic + practice + appointed	CWWC JDC clinic
***** (6 stars)	Appointed	Appointed	Appointed	Appointed

Depending on the type of test and the score in the theoretical and practical tests, participants will be awarded the corresponding qualification, from 1 to 4 stars.

In the theoretical exam, all seminar participants are tested in the following topics: General, Ranking, Running Competitions, Safety, Judging and Calculation. Scorers and judges will be additionally evaluated on their specific knowledge.

Assistants do not have to take part at the practical exams. Other participants can take part in either one or both practical exams for scoring and/or judging.

In the practical scoring exam, the participants will be tested using the scoring software and creating start lists and results.

In the practical judging exam, the participants are tested in judging a heat of a competition live or on a video.

- 14.5 Organization of International Official seminars is up to the CWWC. National Federations can grant levels up to \*\*\*(3 stars). Higher levels are the responsibility of CWWC. National Federations are invited to contact the CWWC to ask for support to organize National or International Officials seminars.
- 14.6 Progress can be made only one level at a time. In certain cases for outstanding candidates, one more level can be achieved.
- 14.7 Reducing levels - for \*\*\*\* Officials: If in the past two seasons, a \*\*\*\* Official hasn't officiated at one international event or a national championship, or hasn't passed the official exam for the appropriate level, his level will be reduced by one.
- 14.8 Reducing levels - for \*\*\*\*\* Officials: A 5 star Official will be reduced to 4 star by the decision of the CWWC or when he hasn't officiated at five international events or national championships in the last two years, or wasn't appointed again by the CWWC.
- 14.9 Reducing levels - for \*\*\*\*\* Officials: All 6 star Officials are reduced automatically to 5 star at the end of the year. New 6 star Officials are appointed by the CWWC at the beginning of the year.
- 14.10 Due to the fast development of the sport, all officials have to take part in or instruct one seminar every 4 years, regardless of their activity in the given period.
- 14.11 All 6 star officials are members of the Judges Development Commission. All 5 and 6 star judges are invited by the CWWC to the Officials Clinics to develop the sport. 4 star Officials can take part at such Clinics with the approval of their Federation and CWWC.

## 15 COMPETITIONS

- 15.1 Competitions are classified from \*(1 star) to \*\*\*\*\* (6 stars), depending on the requirements and limitations described below.
- 15.2 All national and international competitions must be properly registered with the IWWF or relevant Confederation Council, and approved by the National Federation. A bulletin in English has to be prepared for all international competitions. Bulletins must be published 30 days before the competition at the latest.

### 15.3 Basic requirements and limitations on number of events per country:

Type	Description	Limit	Requirements & Registration Deadline
6 STAR *****	World Champs	1 every 2 years	only in even years, by contract with IWWF. Medals or trophies will be awarded to the top three competitors in each category.
5 STAR	AO / E&A / PANAM	1 event	every year, by contract with IWWF Confederation

*****	Confederation Champs		
5 STAR WT *****	World Trophy	1 event	by contract with IWWF, minimum prize money 50.000 EURO
4 STAR ****	Multisport event	no limit	to register with IWWF CWWC minimum 3 months before the event, minimum 2 foreign Officials
4 STAR ****	International event	no limit	to register with IWWF CWWC minimum 3 months before the event, minimum 2 foreign Officials, minimum prize money 3500 EURO
3 STAR ***	National Championships	1 event	to register with Confederation Council minimum 2 months before the event
3 STAR ***	International event	3 event	to register with Confederation Council minimum 2 months before the event, minimum 1 foreign Official, medals or trophies
2 STAR **	International event	4 events	to register with Confederation Council minimum 1 month before the event, medals or trophies
2 STAR **	National event	no limit	to register with Confederation Council minimum 1 month before the event
1 STAR *	International event	5 events	to register with Confederation Council minimum 1 month before the event, medals or trophies
1 STAR *	National event	no limit	to register with Confederation Council minimum 1 month before the event
Invitational event	National or International event	no limit	to register with Confederation Council minimum 1 month before the event, minimum 4* Officials for international events

All events are published in the event calendar at [www.cablewakeboard.net](http://www.cablewakeboard.net), with online registrations for riders. All organizers have to deliver the complete start lists and results (including all qualifying, LCQ and semifinal rounds) to the CWWC. International event organizers also have to deliver a press release in English with pictures from the podium within two days of the competition.

- 15.4 The use of the official scoring program is mandatory for all national and international ranked events. To download the program, please follow [this link](#).
- 15.5 If not specified in the Bulletin, the deadline for riders' on-site registration for all international events is minimum 2 hours before the competition starts (scorer has to have enough time to prepare the heat system and publish the start lists).
- 15.6 All registered competitions will have a dedicated competition page at [www.cablewakeboard.net](http://www.cablewakeboard.net) with competition information, and live results / live feed if provided by the organizer.
- 15.7 All further details on the rights and obligations of the IWWF, CWWC and competition organizers can be found in the IWWF CWWC Competition Registration form.
- 15.8 The following rules for holding international competitions on the same dates apply:

	Show	Invit.	1STAR	2STAR	3STAR	4STAR	5STAR W-Trophy	5STAR Confed	WORLD CUP	6STAR WC
Show	Y	Y	Y	Y	Y	Y	Y	Y	Y	Y
Invit.	Y	Y	Y	Y	Y	Y	Y	Y	Y	Y
1STAR	Y	Y	Y	Y	Y	Y	Y	Y	Y	Y
2STAR	Y	Y	Y	Y	Y	Y	Y	Y*	Y	N
3STAR	Y	Y	Y	Y	Y*	N	N	Y*	N	N
4STAR	Y	Y	Y	Y	N	N	N	N	N	N
5STAR W-Trophy	Y	Y	Y	Y	N	N	N	N	N	N
5STAR Confed	Y	Y	Y	Y*	Y*	N	N	Y*	N	N
WORLD CUP	Y	Y	Y	N	N	N	N	N	N	N
6STAR WC	Y	Y	Y	N	N	N	N	N	N	N

Y\* = Yes if in another Confederation

## 16 RANKING LISTS

16.1 CWWC Ranking lists are produced for all age categories. A rider can start in a higher category at any competition and he'll be awarded the appropriate number of points in that category. Riders will be ranked only in the age categories where they earned points.

*Example: a girl U15 wins the 4\* international competition in Open category and the Confederation champs in U15 category. She will be ranked in both Open Ladies and U15, but only with the points she earned in that particular category (600 in Open Ladies category and 800 points in U15 category).*

16.2 The points for the CWWC Ranking lists will be awarded for competitions of 1-6 stars with the system of awarding points as described in the **Appendix E**.

16.3 In the occurrence of more categories of the same age and gender (e.g. Amateur Men & Pro Men), placements of advanced category are followed by the lower category. This rule applies only for 1 and 2 STAR Events. Rankings from Amateur Categories will not be included in the World Rankings.

16.4 All ranking lists are published on [cablewakeboard.net](http://cablewakeboard.net).

16.5 **CWWC World Rankings** will include all international 1-6 stars competitions and National Championships with the 6 best results for every rider in every age category, except U11. Foreign riders taking part at any Nationals or National competitions will not get the related Ranking points, and the IWWF Rules of Eligibility will be applied.

16.6 **CWWC National Rankings** will include all national and international 1-6 stars competitions with the 6 best results for every rider in every age category.

16.7 **CWWC Annual World and National Rankings** are calculated for a calendar year (1 January till 31 December)

16.8 **CWWC Rolling World and National Rankings** are calculated for the period of last 12 months at any given date.

16.9 The expiration dates of the event results are as follows:

Worlds and Confederation Champs ranking points are valid until the next competition of a kind (this can be less than 12 months), or if the next competition wasn't held in the following 2 years, results expire on 31 December of the second year.

*Example 1: World Champs were held in September 2008. As they're held every even years, the next World Champs were scheduled for July 2010, so the results were valid for 22 months (until the next competition of the kind).*

*Example 2: E&A Confederation Champs were held in October 2008 and in August 2009. When 2009 results were included, 2008 results expired even though it had been less than 12 months. Otherwise riders that took part at both Champs would be in big advantage until October when 12 months period expires.*

*Example 3: A Confederation Champs were held in July 2008. In 2009 and in 2010 there were no Champs in that Confederation. The ranking points would have expired on 31 December 2010.*

National Champs are valid until the next competition of a kind (this can be less than 12 months), or if the next competition wasn't held in the following year, results expire on 31 December of that year.

*Example: National Champs were held in September 2011. In 2012 there were no Nationals in that country. The ranking points expired on 31 December 2012.*

All other events - International and National competitions 1-5 stars are valid for 12 months.



**A. APPENDIX (HEAT SYSTEM)****Up to 32 riders:**

No. Riders	Qual Groups	No. to final	Tot. to final	No. LCQ	LCQ Groups	No. to final	Tot. to semi final	No. Semi	Semi Groups	Tot. to final	No. Final
4	1	4	4	0	0	0				0	4
5	1	5	5	0	0	0				0	5
6	1	6	6	0	0	0				0	6
7	1	4	4	3	1	2				2	6
8	2	2	4	4	1	2				2	6
9	2	2	4	5	1	2				2	6
10	2	2	4	6	1	2				2	6
11	2	2	4	7	1	2				2	6
12	2	3	6	6	1	2				2	8
13	2	3	6	7	1	2				2	8
14	2	3	6	8	1	2				2	8
15	2	3	6	9	2	1				2	8
16	2	3	6	10	2	1				2	8
17	3	2	6	11	2	1				2	8
18	3	2	6	12	2	1				2	8
19	3	2	6	13	2	1				2	8
20	3	2	6	14	2	1				2	8
21	3	2	6	15	2	1				2	8
22	3	2	6	16	2	1				2	8

**Without Semifinals:**

23	4	1	4	19	4	1				4	8
24	4	1	4	20	4	1				4	8
25	4	1	4	21	4	1				4	8
26	4	1	4	22	4	1				4	8
27	4	1	4	23	4	1				4	8
28	4	1	4	24	4	1				4	8
29	4	1	4	25	4	1				4	8
30	4	1	4	26	4	1				4	8
31	4	1	4	27	4	1				4	8
32	4	1	4	28	4	1				4	8

**With Semifinals:**

No. Riders	Qual Groups	No. to semi final	Tot. to semi final	No. LCQ	LCQ Groups	No. to semi final	Tot. to semi final	No. Semi	Semi Groups	No. to final	No. Final
23	3	4	12	11	2	2	4	16	2	4	8
24	3	4	12	12	2	2	4	16	2	4	8
25	4	3	12	13	2	2	4	16	2	4	8
26	4	3	12	14	2	2	4	16	2	4	8
27	4	3	12	15	2	2	4	16	2	4	8
28	4	3	12	16	2	2	4	16	2	4	8
29	4	3	12	17	4	1	4	16	2	4	8
30	4	3	12	18	4	1	4	16	2	4	8
31	4	3	12	19	4	1	4	16	2	4	8
32	4	3	12	20	4	1	4	16	2	4	8

**32 - 64 riders per category without Quarterfinals:**

No. Riders	Qual Groups	No. to semi final	Tot. to semi final	No. LCQ	LCQ Groups	No. to semi final	Tot. to semi final	No. Semi	Semi Groups	No. to final	No. Final
23	3	4	12	11	2	2	4	16	2	4	8
24	3	4	12	12	2	2	4	16	2	4	8
25	4	3	12	13	2	2	4	16	2	4	8
26	4	3	12	14	2	2	4	16	2	4	8
27	4	3	12	15	2	2	4	16	2	4	8
28	4	3	12	16	2	2	4	16	2	4	8
29	4	3	12	17	4	1	4	16	2	4	8
30	4	3	12	18	4	1	4	16	2	4	8
31	4	3	12	19	4	1	4	16	2	4	8
32	4	3	12	20	4	1	4	16	2	4	8
33	5	2	10	23	3	2	6	16	2	4	8
34	5	2	10	24	3	2	6	16	2	4	8
35	6	2	12	23	4	1	4	16	2	4	8
36	6	2	12	24	4	1	4	16	2	4	8
37	6	2	12	25	4	1	4	16	2	4	8
38	6	2	12	26	4	1	4	16	2	4	8
39	6	2	12	27	4	1	4	16	2	4	8
40	6	2	12	28	4	1	4	16	2	4	8
41	6	2	12	29	4	1	4	16	2	4	8
42	6	2	12	30	4	1	4	16	2	4	8
43	6	2	12	31	4	1	4	16	2	4	8
44	6	2	12	32	4	1	4	16	2	4	8
<b>Without Quarter Finals:</b>											
45	8	1	8	37	8	1	8	16	2	4	8
46	8	1	8	38	8	1	8	16	2	4	8
47	8	1	8	39	8	1	8	16	2	4	8
48	8	1	8	40	8	1	8	16	2	4	8
49	8	1	8	41	8	1	8	16	2	4	8
50	8	1	8	42	8	1	8	16	2	4	8
51	8	1	8	43	8	1	8	16	2	4	8
52	8	1	8	44	8	1	8	16	2	4	8
53	8	1	8	45	8	1	8	16	2	4	8
54	8	1	8	46	8	1	8	16	2	4	8
55	8	1	8	47	8	1	8	16	2	4	8
56	8	1	8	48	8	1	8	16	2	4	8
57	8	1	8	49	8	1	8	16	2	4	8
58	8	1	8	50	8	1	8	16	2	4	8
59	8	1	8	51	8	1	8	16	2	4	8
60	8	1	8	52	8	1	8	16	2	4	8
61	8	1	8	53	8	1	8	16	2	4	8
62	8	1	8	54	8	1	8	16	2	4	8
63	8	1	8	55	8	1	8	16	2	4	8
64	8	1	8	54	8	1	8	16	2	4	8

**45 - 68 riders per category with Quarterfinals:**

No. Riders	Qual Groups	No. to quarter final	Tot. to quarter final	No. LC Q	LCQ Groups	No. to quarter final	Tot. to quarter final	No. Quarter	Quarter Groups	No. to semi final	No. Semi	Semi Groups	No. to final	No. Final
45	8	3	24	21	4	2	8	32	4	4	16	2	4	8
46	8	3	24	22	4	2	8	32	4	4	16	2	4	8
47	8	3	24	23	4	2	8	32	4	4	16	2	4	8
48	8	3	24	24	4	2	8	32	4	4	16	2	4	8
49	8	3	24	25	4	2	8	32	4	4	16	2	4	8
50	8	3	24	26	4	2	8	32	4	4	16	2	4	8
51	8	3	24	27	4	2	8	32	4	4	16	2	4	8
52	8	3	24	28	4	2	8	32	4	4	16	2	4	8
53	8	3	24	29	4	2	8	32	4	4	16	2	4	8
54	8	3	24	30	4	2	8	32	4	4	16	2	4	8
55	8	3	24	31	4	2	8	32	4	4	16	2	4	8
56	8	3	24	32	4	2	8	32	4	4	16	2	4	8
57	10	2	20	37	6	2	12	32	4	4	16	2	4	8
58	10	2	20	38	6	2	12	32	4	4	16	2	4	8
59	10	2	20	39	6	2	12	32	4	4	16	2	4	8
60	10	2	20	40	6	2	12	32	4	4	16	2	4	8
61	10	2	20	41	6	2	12	32	4	4	16	2	4	8
62	10	2	20	42	6	2	12	32	4	4	16	2	4	8
63	10	2	20	43	6	2	12	32	4	4	16	2	4	8
64	10	2	20	44	6	2	12	32	4	4	16	2	4	8
65	10	2	20	45	6	2	12	32	4	4	16	2	4	8
66	10	2	20	46	6	2	12	32	4	4	16	2	4	8
67	10	2	20	47	6	2	12	32	4	4	16	2	4	8
68	10	2	20	48	6	2	12	32	4	4	16	2	4	8

To calculate the approximate times required per category, download the scoring software from the documents section at [www.cablewakeboard.net](http://www.cablewakeboard.net)

**B. APPENDIX (START LISTS/RUNNING ORDER)****B.1 How to create Qualification Startlists:**

1. First check the ranking for all riders at [www.cablewakeboard.net](http://www.cablewakeboard.net) . Use only the rider's ranking in the category that he is riding for your specific competition. Then sort all the riders, with the best ranked rider first.
2. Assign all unranked riders to the end of the list randomly.
3. Determine the heat system needed with Appendix A of the World Rules.
4. Start at the top of the list (with the best ranked rider) and put him into the LAST heat (D), in the last position. Now put the second best rider into the second last heat, in the last position.
5. Continue this until you have put one rider in the last position in each heat
6. Now take the next rider on the list and put them in the FIRST heat (A) in the second to last position
7. Then the next ranked rider goes into the second heat at the second to last position and so on until you have two riders in each heat.
8. Repeat previous steps until you have all riders in the groups

Example with 24 riders, 4 heats of 6 riders (the number is the rank of the rider):

<b>A</b>	<b>B</b>	<b>C</b>	<b>D</b>
21	22	23	24
20	19	18	17
13	14	15	16
12	11	10	9
5	6	7	8
4	3	2	1

**B.2 How to create LCQ or Final Startlists:**

There are two principles to create LCQ or Final Startlists.

AAL (A) System: to be used when there are the **same** number of LCQ and Qualification heats, an **even** number of LCQ and Qualification heats or **double** of the number of Qualification as LCQ heats (for example, 4 LCQ heats and 4 Qualification Heats, 2 LCQ heats and 6 Qualification Heats or 3 LCQ Heats and 6 Qualification Heats)

Snake (S) System: to be used in all other cases.

<b>Number of LCQ Heats</b>	<b>Number of Qualifications Heats</b>							
	<b>1</b>	<b>2</b>	<b>3</b>	<b>4</b>	<b>5</b>	<b>6</b>	<b>7</b>	<b>8</b>
<b>1</b>	-	<b>S</b>	<b>S</b>	<b>S</b>	<b>S</b>	<b>S</b>	<b>S</b>	<b>S</b>
<b>2</b>	-	<b>A</b>	<b>S</b>	<b>A</b>	<b>S</b>	<b>A</b>	<b>S</b>	<b>A</b>
<b>3</b>	-	-	<b>A</b>	<b>S</b>	<b>S</b>	<b>A</b>	<b>S</b>	<b>S</b>
<b>4</b>	-	-	-	<b>A</b>	<b>S</b>	<b>A</b>	<b>S</b>	<b>A</b>
<b>5</b>	-	-	-	-	<b>A</b>	<b>S</b>	<b>S</b>	<b>S</b>
<b>6</b>	-	-	-	-	-	<b>A</b>	<b>S</b>	<b>A</b>
<b>7</b>	-	-	-	-	-	-	<b>A</b>	<b>S</b>
<b>8</b>	-	-	-	-	-	-	-	<b>A</b>

### B.3 Snake System

1. First make a seeded list with all the riders:
  - a. Take the best rider (who didn't qualify) from the last heat and put him first. Now put the best rider from the second last heat in second and so on until you have done all heats once (you should finish on heat A).
  - b. Now repeat **a** but in the other direction i.e. start with heat A and end with the last heat.
  - c. Repeat **a and b** until you have all riders in your list.
2. Now you have your new seeding list you can make the LCQ lists as you did for the qualification lists. Start at point 4 of the qualification start list instructions.

Quali A	Quali B	Quali C
1	1	1
2	2	2
3 ← 3	3 2	3 → ● 1
4 ● 4	4 5	4 → 6
5 ← 9	5 8	5 → ● 7
6 ● 10	6 11	6 → 12

START

LCQ A	LCQ B
1 ● 11	1 → 12
2 ← 10	2 → ● 9
3 ● 7	3 → 8
4 ← 6	4 → ● 5
5 ● 3	5 → 4
6 ← 2	6 → ● 1

END

### B.4 AAL System

1. First make a seeded list with all the riders:
  - a. Take the best rider (who didn't qualify) from the last heat and put him first. Now put the best rider from the second last heat in second and so on until you have done all heats once (you should finish on heat A).
  - b. Now do the same but start with the next last heat and the next best rider. Once you have placed the rider from heat A go to the last heat and continue in the same direction.
  - c. Repeat **b** until you have all riders in your list.
2. Now you can split your riders in to heats.
  - a. Don't use the same system, Start at the top of the list (best placed in last heat) and put him into the LAST heat, at the last position. Now put the second best rider into the second last heat, at the last position. Continue this until you have put one rider at the last position in each heat.
  - b. Repeat step 4 until you have placed all riders (always starting with the last heat)

Quali A	Quali B	Quali C	Quali D
1	1	1	1
2 ← 4	2 3	2 2	2 ● 1
3 ← 7	3 6	3 ● 5	3 ← 8
4 ← 10	4 ● 9	4 ← 12	4 11
5 ← ● 13	5 ← 16	5 15	5 14
6 20	6 19	6 18	6 ● 17

END

LCQ A	LCQ B	LCQ C	LCQ D
1 ← 20	1 19	1 18	1 ● 17
2 ← 16	2 15	2 14	2 ● 13
3 ← 12	3 11	3 10	3 ● 9
4 ← 8	4 7	4 6	4 ● 5
5 ← 4	5 3	5 2	5 ● 1

END

**Creating SEMI Final Lists by combining Qualification and LCQ Results**

Decide to use either AAL or SNAKE Mixing System by looking at how many qualification Heats give how many SEMIFINALS.

Use the system of your choice to place the Riders who qualified directly from the Qualification at the last starting places, depending of their results during Qualifications.

Then look at how many LCQ Heats you have to use and how many Semi Final Heats you have, choose the mixing system that you have to use.

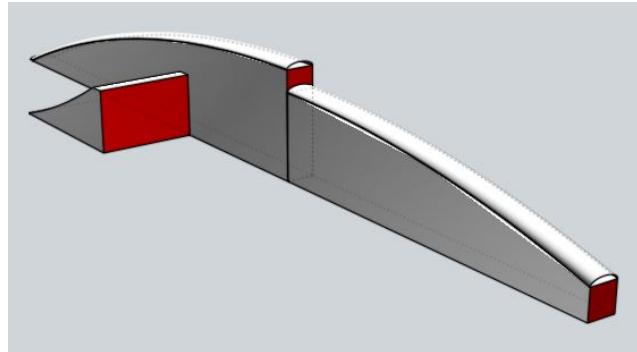
Then use the system and begin by placing the best rider from the last LCQ Heat on the first remaining starting Position of the last Semifinal Heat and continue with the rest.

**B.5 Creating final placements according to the Semifinal / Final results**

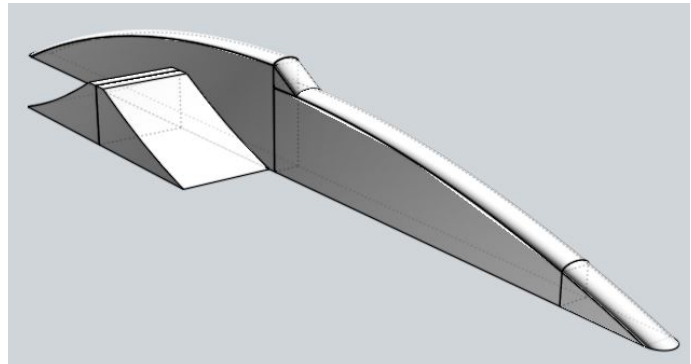
<p><b>SEMI-FINALS – HEAT 1</b>                  1<sup>st</sup> place                  2<sup>nd</sup> place                  3<sup>rd</sup> place                  4<sup>th</sup> place                  5<sup>th</sup> place (equal 9<sup>th</sup> place)                  6<sup>th</sup> place (equal 11<sup>th</sup> place)                  7<sup>th</sup> place (equal 13<sup>th</sup> place)                  8<sup>th</sup> place (equal 15<sup>th</sup> place)</p>	<p>1<sup>st</sup> – 4<sup>th</sup> place advance to finals</p>	<p><b>FINALS</b>                  1<sup>st</sup> place                  2<sup>nd</sup> place                  3<sup>rd</sup> place                  4<sup>th</sup> place                  5<sup>th</sup> place                  6<sup>th</sup> place                  7<sup>th</sup> place                  8<sup>th</sup> place</p>
<p><b>SEMI-FINALS – HEAT 2</b>                  1<sup>st</sup> place                  2<sup>nd</sup> place                  3<sup>rd</sup> place                  4<sup>th</sup> place                  5<sup>th</sup> place (equal 9<sup>th</sup> place)                  6<sup>th</sup> place (equal 11<sup>th</sup> place)                  7<sup>th</sup> place (equal 13<sup>th</sup> place)                  8<sup>th</sup> place (equal 15<sup>th</sup> place)</p>	<p>1<sup>st</sup> – 4<sup>th</sup> place advance to finals</p>	

**D. APPENDIX (FEATURE EXAMPLES)**

Example of a feature that cannot be used in both directions. Vertical areas facing the rider have to be avoided (in red).



Example of a feature that can be used in both directions.

**Corrugated Pipes**

The use of corrugated pipes as a sliding surface poses significant risks. Depending on their depth, each rib becomes a structural and permanent point of impact. Catching the heelside, toeside, molded fins and fins can happen at any time and cause the board to come to an abrupt stop, and the associated fall of the rider on the pipe. Due to the momentum of the rider, there is not only an impact between the body and the pipe, but also a hit on each rib of the corrugated pipe which can quickly increase the severity of the fall. The three leading manufacturers don't use this type of material in their current ranges of features for these safety reasons.

The International Cable Wakeboard World Council (CWWC) advises strongly against the production and use of features using such pipes as sliding surfaces during public hours. It could be allowed at events and competitions, depending on the condition of the pipe and the competition field, if a special briefing is included at the Riders Meeting before the competition.

**E. APPENDIX (RANKING POINTS)**

	*****	*****	****	***	**	*
	6STAR	5STAR	4STAR	3STAR	2STAR	1STAR
1	1000	800	600	400	200	100
2	925	740	555	370	185	93
3	856	685	513	342	171	86
4	791	633	475	317	158	79
5	732	586	439	293	146	73
6	677	542	406	271	135	68
7	626	501	376	251	125	63
8	579	464	348	232	116	58
9	536	429	322	214	107	54
10	496	397	297	198	99	50
11	459	367	275	183	92	46
12	424	339	255	170	85	42
13	392	314	235	157	78	39
14	363	290	218	145	73	36
15	336	269	201	134	67	34
16	311	248	186	124	62	31
17	287	230	172	115	57	29
18	266	213	159	106	53	27
19	246	197	147	98	49	25
20	227	182	136	91	45	23
21	210	168	126	84	42	21
22	195	156	117	78	39	19
23	180	144	108	72	36	18
24	166	133	100	67	33	17
25	154	123	92	62	31	15
26	142	114	85	57	28	14
27	132	105	79	53	26	13
28	122	97	73	49	24	12
29	113	90	68	45	23	11
30	104	83	63	42	21	10
31	96	77	58	39	19	10
32	89	71	54	36	18	9
33	83	66	50	33	17	8
34	76	61	46	31	15	8
35	71	56	42	28	14	7
36	65	52	39	26	13	7
37	60	48	36	24	12	6
38	56	45	34	22	11	6
39	52	41	31	21	10	5
40	48	38	29	19	10	5
41	44	35	27	18	9	4
42	41	33	25	16	8	4
43	38	30	23	15	8	4
44	35	28	21	14	7	4
45	32	26	19	13	6	3
46	30	24	18	12	6	3
47	28	22	17	11	6	3
48	26	20	15	10	5	3
49	24	19	14	9	5	2
50	22	18	13	9	4	2



**F. APPENDIX F (SEATED CATEGORY SPECIFIC RULES)**

3.
  - 3.2 There is no minimum points requirement for the Seated category
4.
  - 4.1. **Open Seated:** No age restriction
  - 4.4. To open the 'Seated' category, a minimum of 4 riders from 3 different nationalities is required.
8. For seated categories, features without entrance (where an ollie is required) will be forbidden.
10. Specific ratio are applied for the scoring of seated category.

The final score will be altered (multiplied) with the rider's category ratio to give his/her final score.

<i>Category</i>	<i>Ratio</i>
MP1	2.0
MP2	1.6
MP3	1.2
AB	1.0

**MP1:** Athletes unable to utilize the majority of their trunk musculature. Athlete is unable to rise from knees without arm support. They lack full use of their upper extremities. Typically, they do not have adequate grip strength and may utilize their forearms or wrists to hold the handle.

**MP2:** Athletes able to use their upper trunk muscles to partially raise their upper body from their knees in the skiing position. Typically, they have full use of their upper extremities.

**MP3:** Athletes with good use of the majority of their trunk muscles. Athlete may be able to use partial abdominal musculature. Typically, they are able to raise the trunk from their knees in the skiing position and have full use of their upper extremities.

Qualification criteria: only riders with a form of disability that fall under the noted categories are allowed to compete in the seated category.